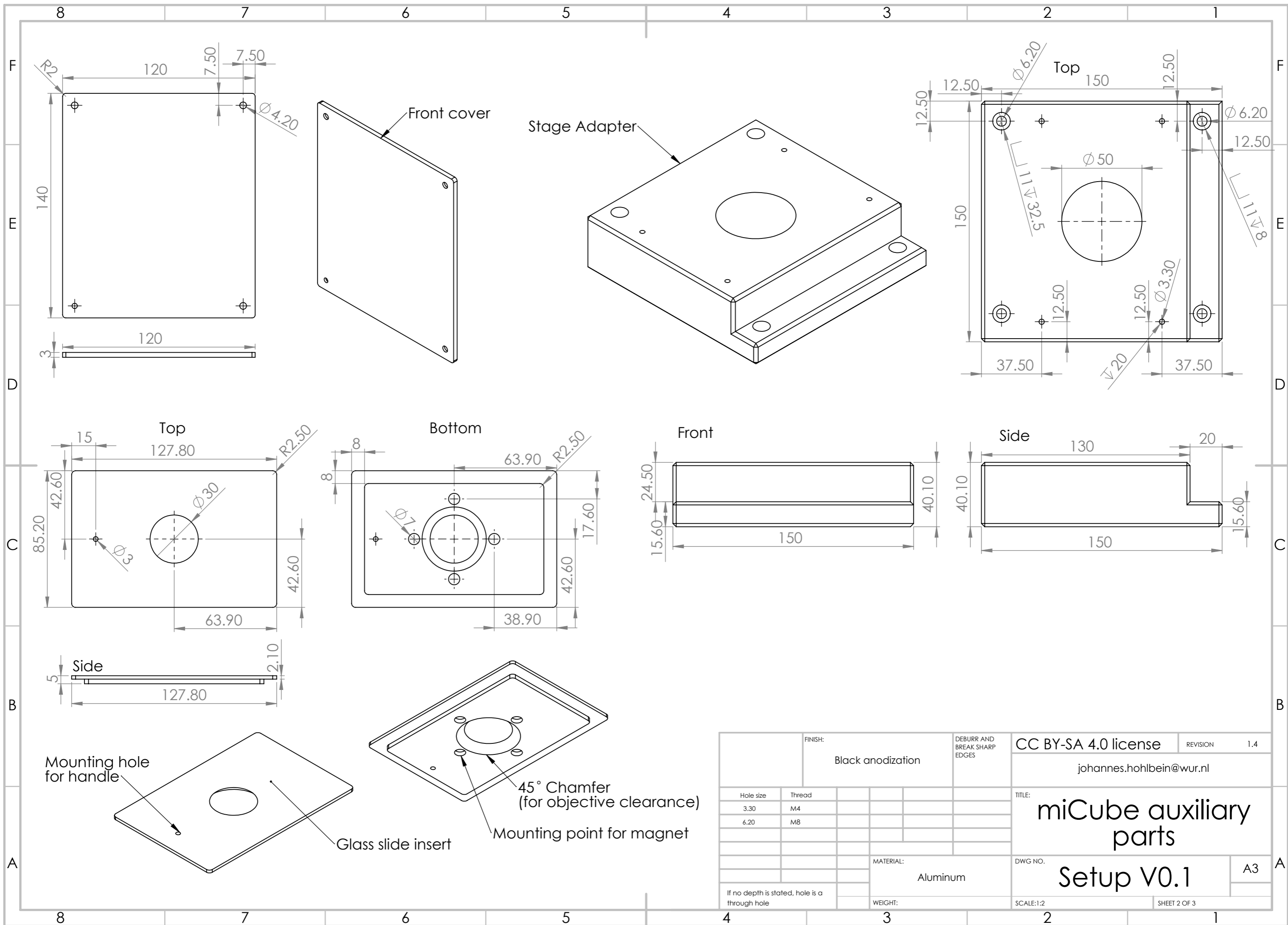
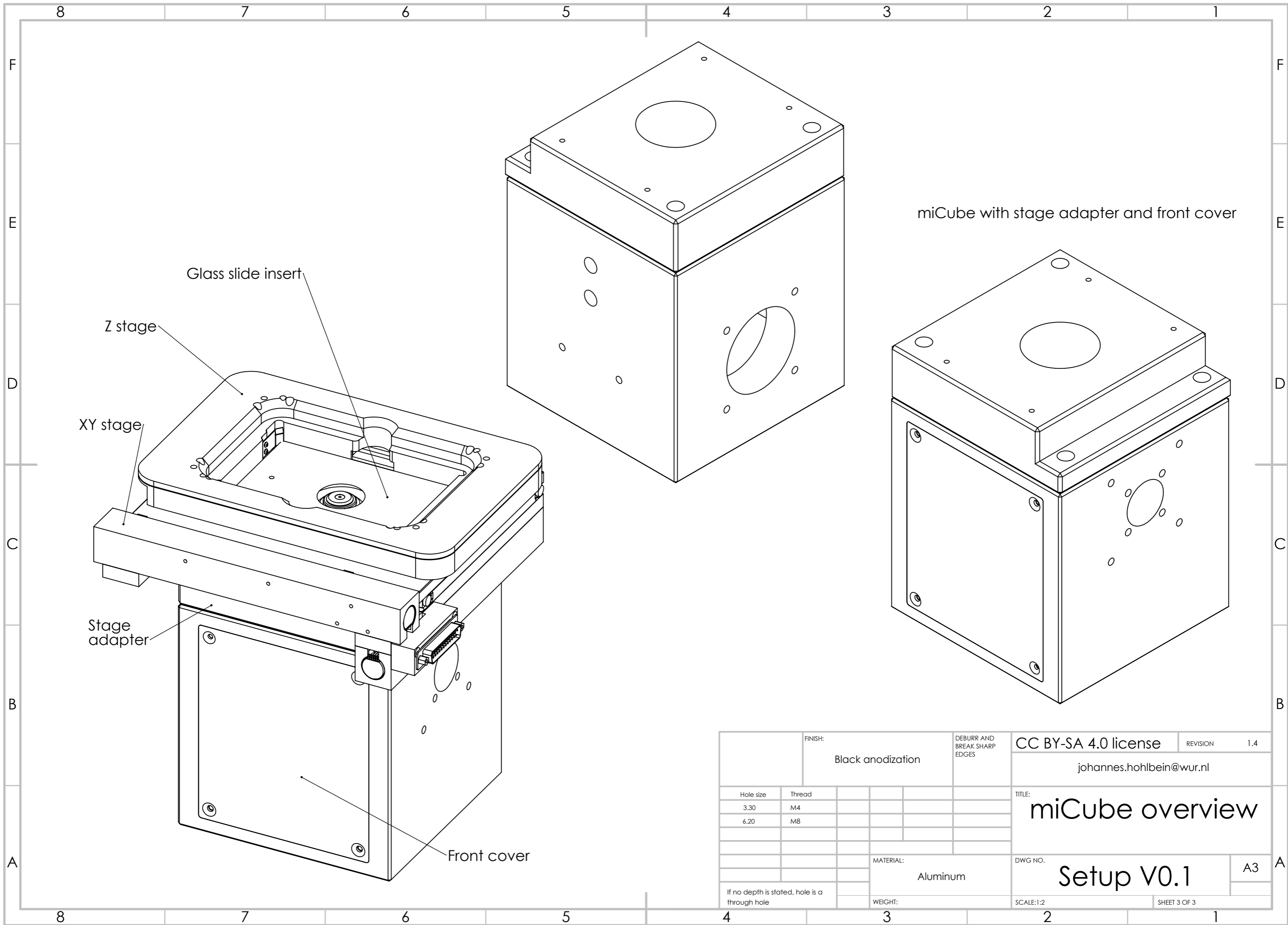


FINISH:		Black anodization	DEBURR AND BREAK SHARP EDGES	CC BY-SA 4.0 license	REVISION	1.4
				johannes.hohlbein@wur.nl		
Hole size		Thread		TITLE:		
3.30		M4		miCube dimensions		
5.10		M6				
6.20		M8				
24.30		M25x0.75 (Nikon)				
		MATERIAL:	Aluminum	DWG NO.	A3	
If no depth is stated, hole is a through hole		WEIGHT:		SCALE:1:2	SHEET 1 OF 3	
				Setup V0.1		



FINISH:		Black anodization		DEBURR AND BREAK SHARP EDGES		CC BY-SA 4.0 license		REVISION 1.4	
Hole size		Thread				johannes.hohlbein@wur.nl			
3.30		M4				TITLE: miCube auxiliary parts			
6.20		M8							
				MATERIAL:		Aluminum		DWG NO.	
				WEIGHT:				Setup V0.1	
If no depth is stated, hole is a through hole						SCALE:1:2		SHEET 2 OF 3	



FINISH:		Black anodization		DEBURR AND BREAK SHARP EDGES		CC BY-SA 4.0 license		REVISION 1.4	
Hole size		Thread				johannes.hohlbein@wur.nl			
3.30		M4				TITLE:		miCube overview	
6.20		M8				DWG NO.		Setup V0.1	
				MATERIAL:		Aluminum		A3	
				WEIGHT:				SCALE:1:2	
If no depth is stated, hole is a through hole						SHEET 3 OF 3			